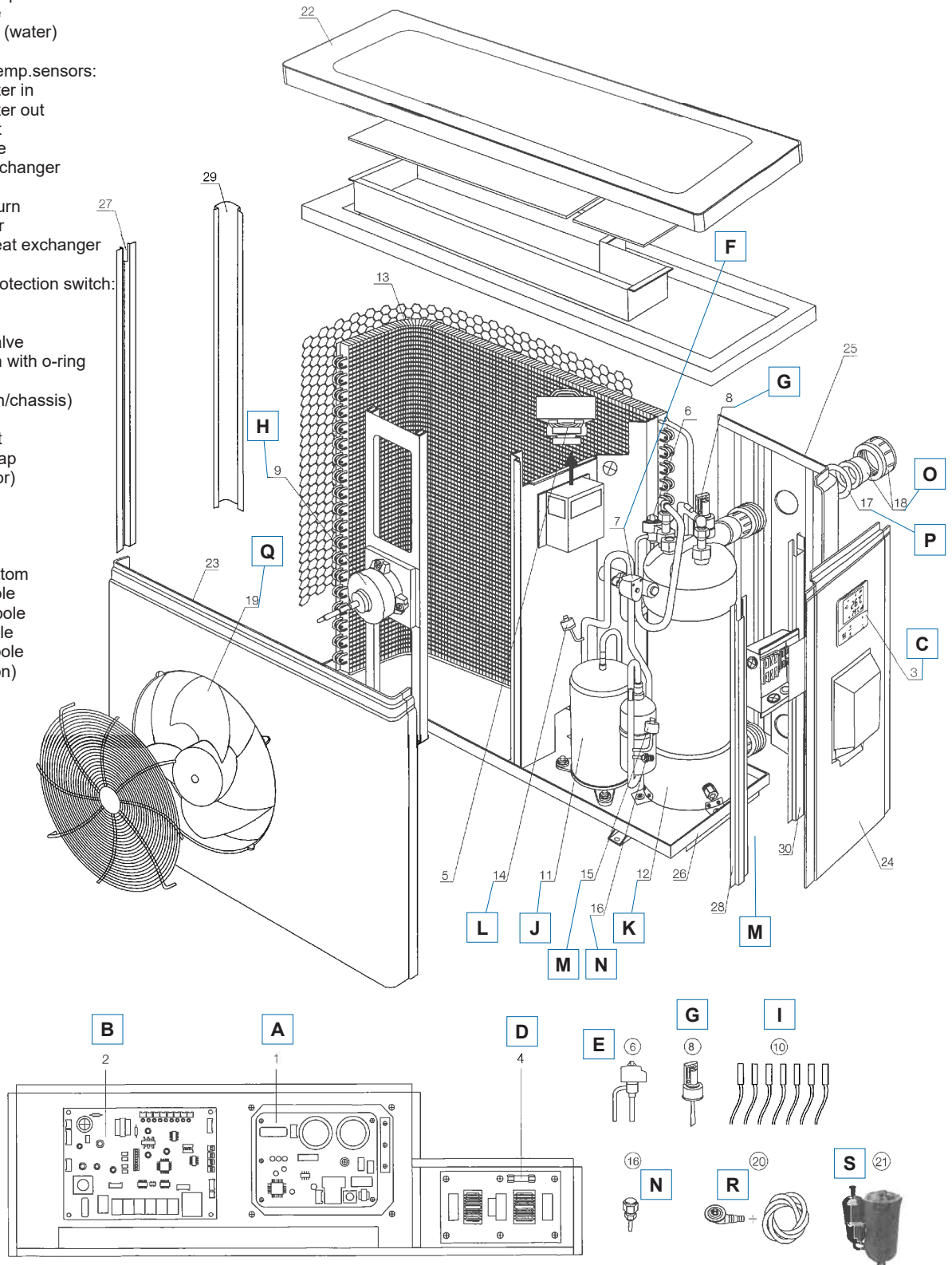


Reservdelar / Spare parts Värmepump/Heat pump Calidi XP

SVENSKA
ENGLISH

- A 1. Inverter PCB
- B 2. Control PCB
- C 3. Display
- D 4. Filter PCB
- 5. Reactor box
- E 6. Electronic expansion valve
- F 7. 4-way valve
- G 8. Flow switch (water)
- H 9. Fan motor
- I 10. Full set of temp.sensors:
t1= Poolwater in
t2= Poolwater out
t3= Exhaust
t4= Coil pipe
t5= Heat exchanger
t6= Air
t7= Gas return
- J 11. Compressor
- K 12. Titanium Heat exchanger
13. Evaporator
Pressure protection switch:
- L 14. - High
- M 15. - Low
- N 16. Pressure valve
- O 17. Water union with o-ring
- P 18. Gasket
(water union/chassis)
- Q 19. Rotor
- R 20. Drainage kit
- S 21. Insulation cap
(Compressor)
- 22. Top cover
- 23. Front panel
- 24. Right panel
- 25. Back panel
- 26. Chassis bottom
- 27. Front left pole
- 28. Front right pole
- 29. Back left pole
- 30. Back right pole
- W — O-ring (union)

Model	Part number
Calidi XP10	14983340
Calidi XP15	14983341
Calidi XP17	14983342

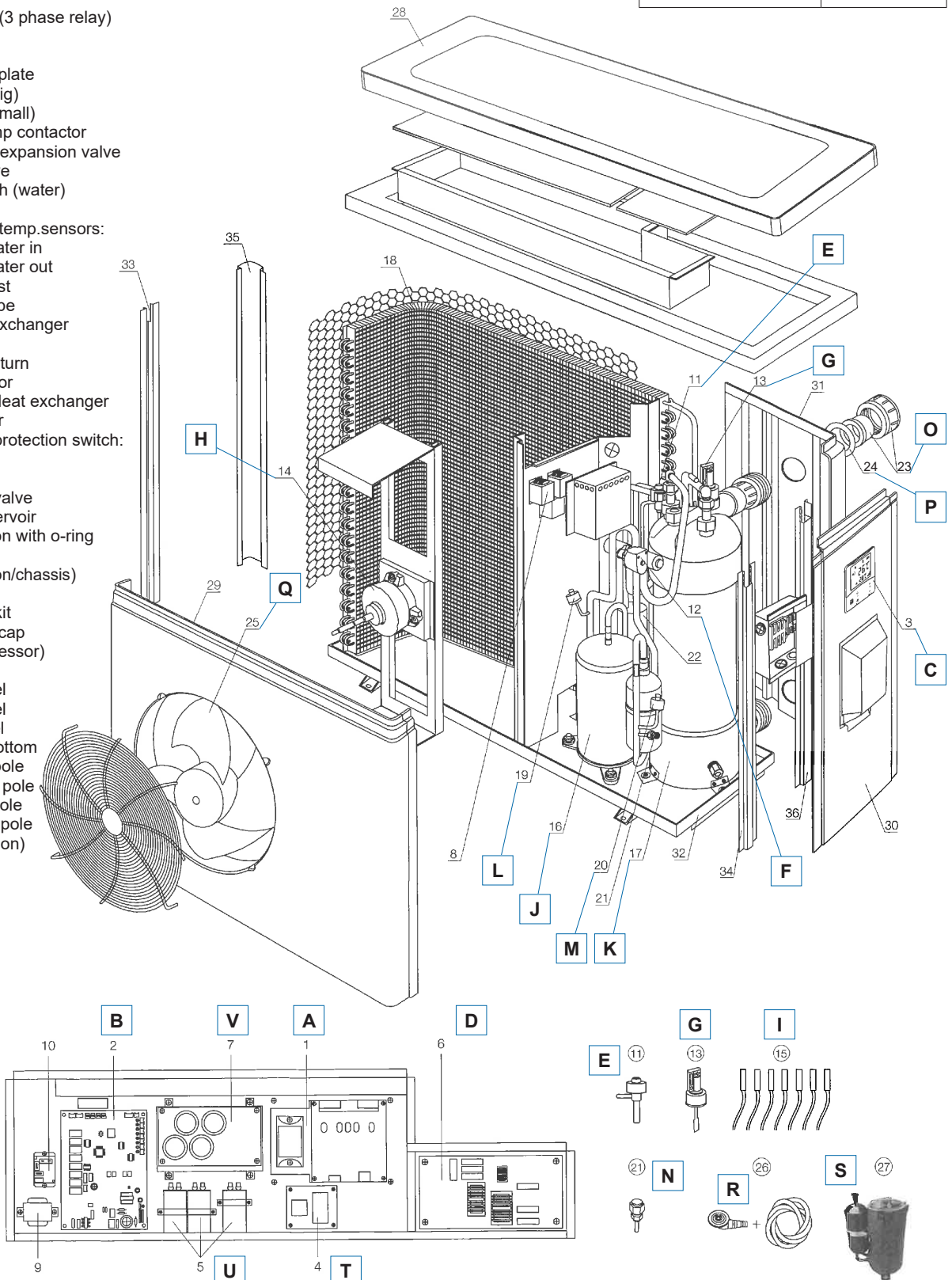


Reservdelar / Spare parts Värmepump/Heat pump Calidi XP

SVENSKA
ENGLISH

- A 1. Inverter PCB
- B 2. Control PCB
- C 3. Display
- T 4. Contactor (3 phase relay)
- U 5. Capacitor
- D 6. Filter PCB
- V 7. Capacitor plate
- 8. Reactor (big)
- 9. Reactor (small)
- 10. Water pump contactor
- E 11. Electronic expansion valve
- F 12. 4-way valve
- G 13. Flow switch (water)
- H 14. Fan motor
- I 16. Full set of temp.sensors:
t1= Poolwater in
t2= Poolwater out
t3= Exhaust
t4= Coil pipe
t5= Heat exchanger
t6= Air
t7= Gas return
- J 16. Compressor
- K 17. Titanium Heat exchanger
- 18. Evaporator
- Pressure protection switch:
- L 19. - High
- M 20. - Low
- N 21. Pressure valve
- 22. Liquid reservoir
- O 23. Water union with o-ring
- P 24. Gasket
(water union/chassis)
- Q 25. Rotor
- R 28. Drainage kit
- S 27. Insulation cap
(for compressor)
- 28. Top cover
- 29. Front panel
- 30. Right panel
- 31. Back panel
- 32. Chassis bottom
- 33. Front left pole
- 34. Front right pole
- 35. Back left pole
- 36. Back right pole
- W — O-ring (union)

Model	Part number
Calidi XP28	14983343



Reservdelar / Spare parts

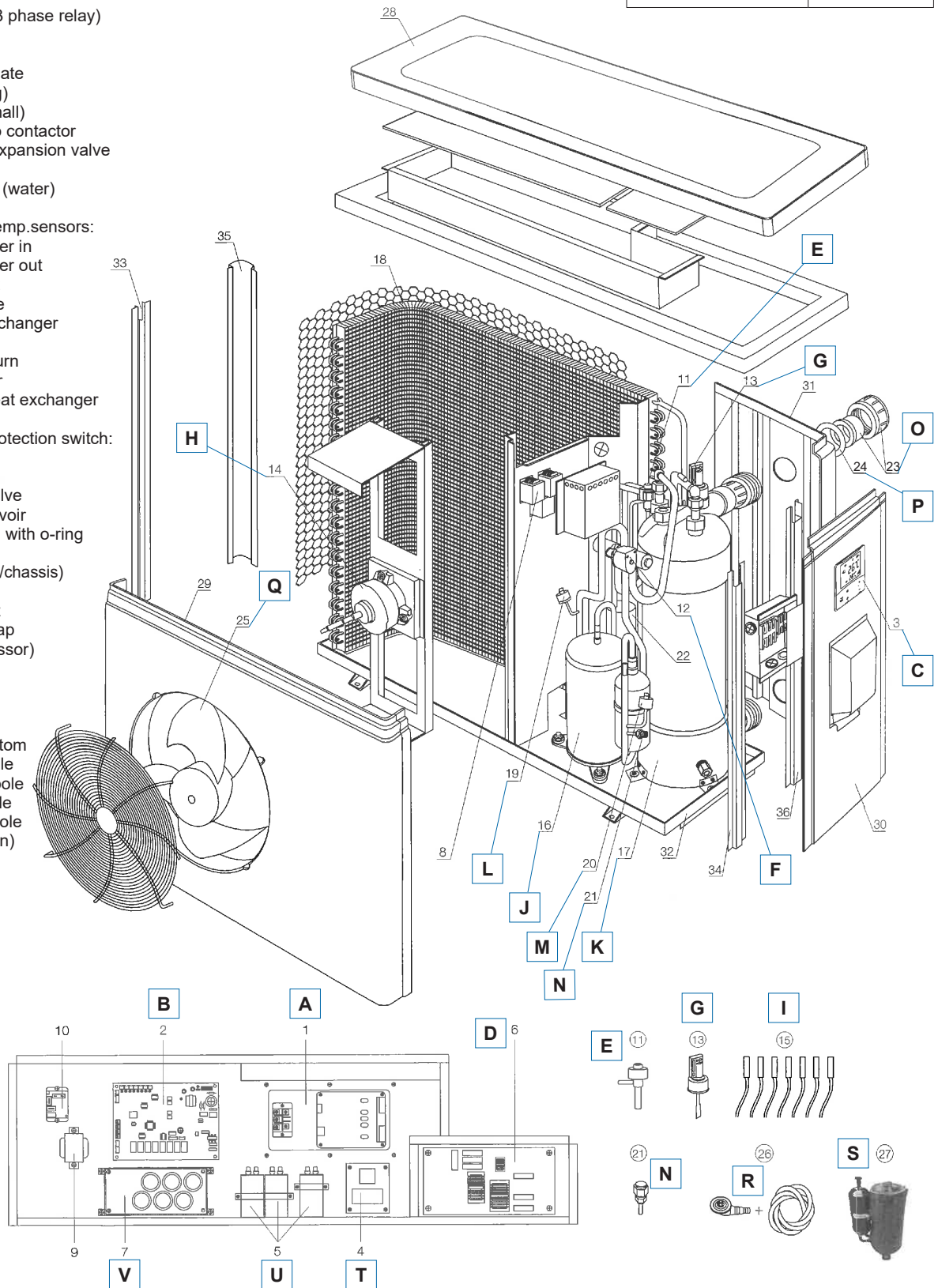
Värmepump/Heat pump

Calidi XP

SVENSKA
ENGLISH

- A 1. Inverter PCB
- B 2. Control PCB
- C 3. Display
- T 4. Contactor (3 phase relay)
- U 5. Capacitor
- D 6. Filter PCB
- V 7. Capacitor plate
- 8. Reactor (big)
- 9. Reactor (small)
- 10. Water pump contactor
- E 11. Electronic expansion valve
- F 12. 4-way valve
- G 13. Flow switch (water)
- H 14. Fan motor
- I 16. Full set of temp.sensors:
t1= Poolwater in
t2= Poolwater out
t3= Exhaust
t4= Coil pipe
t5= Heat exchanger
t6= Air
t7= Gas return
- J 16. Compressor
- K 17. Titanium Heat exchanger
- 18. Evaporator
Pressure protection switch:
- L 19. - High
- M 20. - Low
- N 21. Pressure valve
- 22. Liquid reservoir
- O 23. Water union with o-ring
- P 24. Gasket
(water union/chassis)
- Q 25. Rotor
- R 28. Drainage kit
- S 27. Insulation cap
(for compressor)
- 28. Top cover
- 29. Front panel
- 30. Right panel
- 31. Back panel
- 32. Chassis bottom
- 33. Front left pole
- 34. Front right pole
- 35. Back left pole
- 36. Back right pole
- W — O-ring (union)

Model	Part number
Calidi XP35	14983344



Reservdelar / Spare parts

Värmepump/Heat pump

Calidi XP

SVENSKA
ENGLISH

Pos	Benämning	Description	XP10	XP15	XP17	XP28	XP35	Reservdelsnr Spare part no
A	Inverterkort	Inverter PCB	•					632741
				•				632742
					•			632743
						•		632589
							•	632661
B	Styrkort	Control PCB	•					632697
				•				632703
					•			632706
						•		632710
							•	632720
C	Display Inverter	Display Inverter	•	•	•	•	•	632698
D	Filterkort	Power filter plate	•					632677
				•	•			632687
						•	•	632713
E	Elektronisk expansionsventil	Electronic expansion valve	•	•	•			632688
						•	•	632722
F	Fyrvägsventil	4-way valve	•	•				632678
					•			632694
						•	•	632714
G	Flödesvakt	Flow switch	•	•	•	•	•	632544
H	Fläktmotor	Fan motor	•					632679
				•	•			632680
						•		632715
							•	632715
I	Temp.givare, 7-pack	Temperature sensor, 7 pcs	•	•	•	•	•	632699
J	Kompressor	Compressor	•					632700
				•				632704
					•			632707
						•		632716
							•	632723
K	Värmeväxlare titan	Titanium heat exchanger	•					632652
				•				632705
					•			632708
						•		632717
							•	632665
L	Tryckvakt (High)	High pressure protection switch	•	•	•	•	•	632683
M	Tryckvakt (Low)	Low pressure protection switch	•	•	•	•	•	632684
N	Tryckvakt		•	•	•	•	•	632574
O	Anslutningar med o-ring, 2-pack	Connections with o-ring, 2pcs	•	•	•	•	•	632545
P	Tätningar (blå/röd), 2-pack	Gaskets (blue/red), 2pcs	•	•	•	•	•	632701
Q	Rotor	Rotor	•					632691
				•	•			632557
						•		632718
							•	632718
R	Dräneringskit	Draining kit	•	•	•	•	•	632556
S	Isolering (för kompressor)	Compressor insulation cap	•	•				632702
					•			632709
						•		632719
							•	632724
T	Kontaktor	Contactora (3-phase relay)				•	•	632711
U	Kondensator	Capacitor				•	•	632721
V	Kondensatorkort	Capacitor plate				•		632600
							•	632663
W	O-ringar, 2-pack (union)	O-ring, 2pcs (union)	•	•	•	•	•	632701